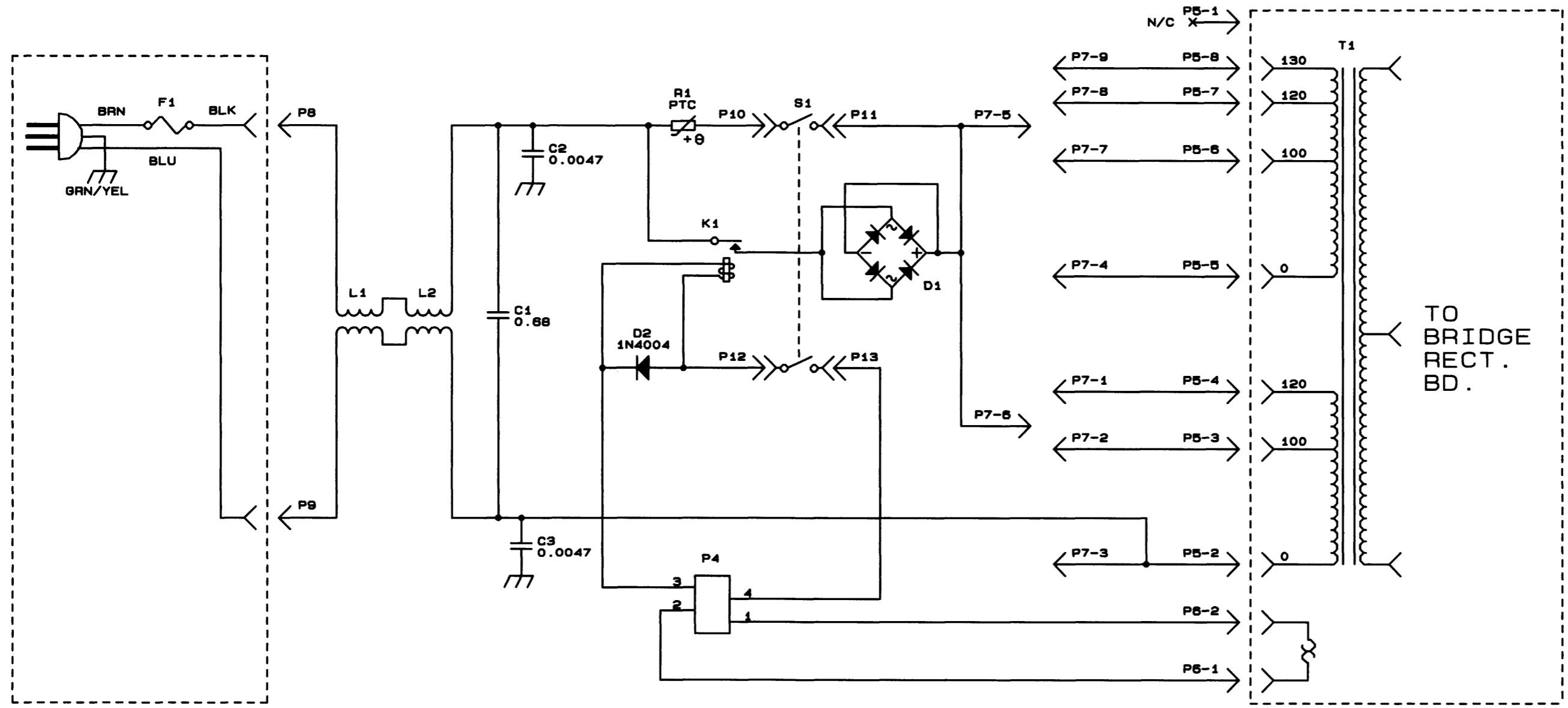


MODEL	F1 100V-120V	F1 220V-240V
K1	15A	8A
K2	20A	10A

EAT #	ZONE	REV	DESCRIPTION	DATE	BY	APPROVALS			
						CK	ME	EE	PE
		A	INITIAL RELEASE.	02-21-97	KLW				EB
800492		B	ADD COLORS ON POWER CORD. DELETE REFERENCE TO C & M MODELS. CORRECT K1 FUSES.	10-28-97	JW	Kw			



**NOTES :**  
 1. THIS SCHEMATIC APPLIES TO:  
 PRINTED WIRING BOARD 101849-1  
 PRINTED WIRING ASSEMBLY 101850-1

**P7  
VOLTAGE SELECTION**

100V	120V	200V	220V	230V	240V	250V
5-7	5-8	2-4	2-4	2-4	1-4	1-4
5-2	6-1	5-7	5-8	5-9	5-8	5-9
3-4	3-4					

LAST USED	NOT USED
D2	
K1	
P13	1-3
R1	

THESE DRAWINGS AND SPECIFICATIONS ARE THE PROPERTY OF CROWN INTERNATIONAL, INC. AND SHALL NOT BE REPRODUCED, COPIED, OR USED AS THE BASIS FOR THE MANUFACTURE OR SALE OF APPARATUS OR DEVICES WITHOUT PERMISSION.

PRINTS TO

G	
---	--

**CROWN INTERNATIONAL, INC.**  
 1718 WEST MISHAWAKA ROAD ELKHART, IN. 46517 PHONE (219) 294-8000

**SCHEM, CONTROL "K" SERIES CE**

DRAWN	KLW	02-21-97	APPROVED BY :	DO NOT SCALE PRINT
CHECKED			ME	SUPERSEDES 100488
SCALE	NONE		EE	E.C.N.
PROJ #	D350		PE EB 02/21/97	C.P.N. 101848
NEXT ASSEMBLY				REV (B)